

Information:

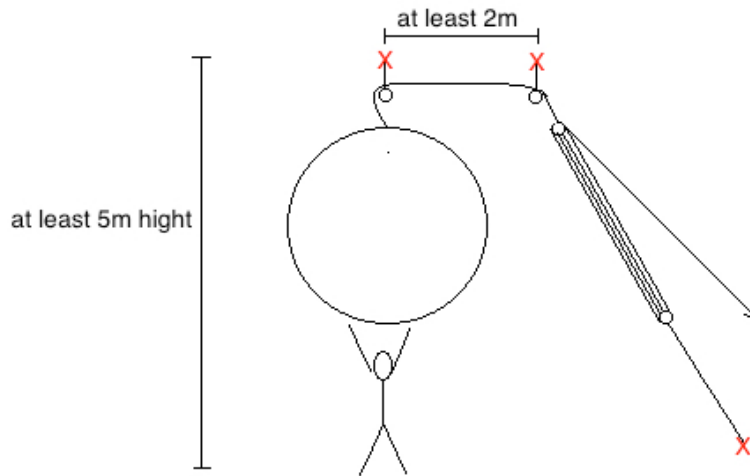
X = at least 250kg hanging point and anchor point. Ceiling height at least 5m.

3 different options to rig the aerial hoop with the pulley system.

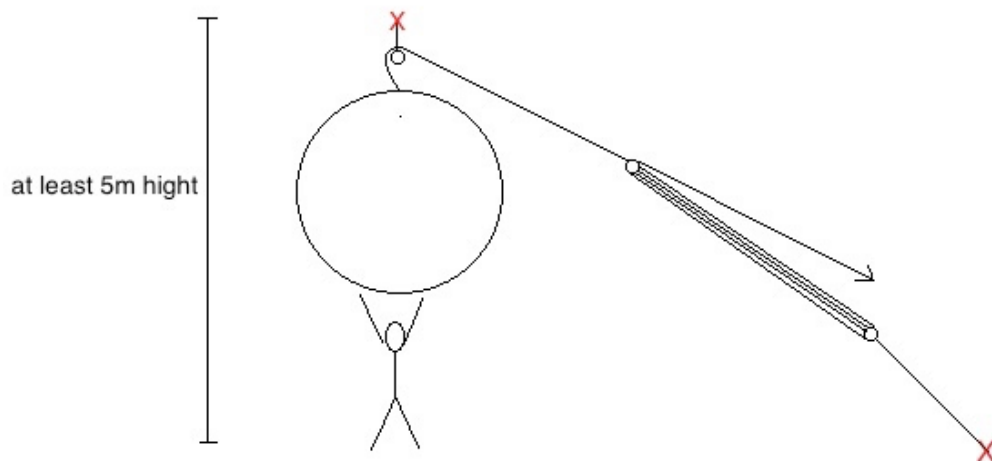
Please don't hesitate to contact me if you have further questions!

nozora@gmail.com

Option 1



Option 2



Option 3

